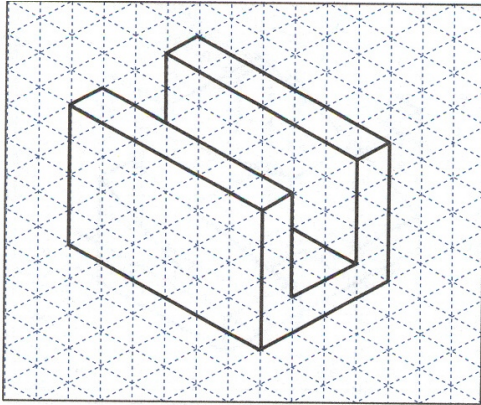


ME 110 (Fall 2011)

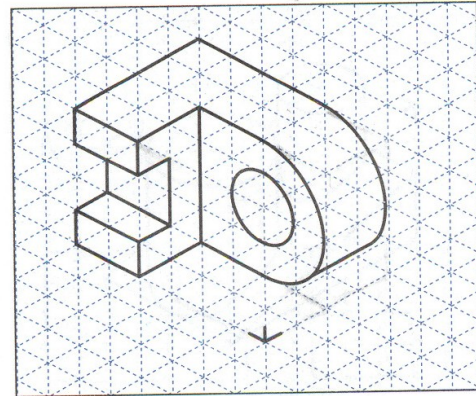
Assignment #4 (Due Friday 2-11-11):

1. Create the following 2 isometric pictorials in SolidWorks from Assignment #2
 - 8 and 35 (Bertoline text on reserve in library: pg. 51, 53)



(8)

Isometric #8



(35)

Isometric #35

- Assume square edges are 1" in length so parts bounded by 6" X 4" X 4" block.
- Submit drawing file printouts per SolidWorksHomeworkSubmission.doc instructions
- Staple these together